



alfdex[®]

Number one in crankcase ventilation



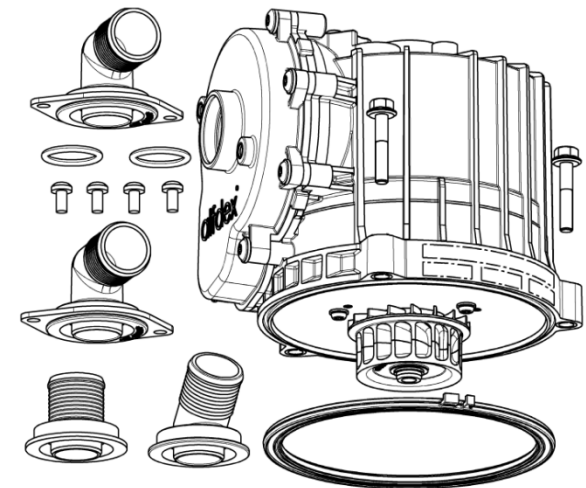
Alfdex All-Makes Aftermarket Kit

North American market

The crankcase ventilation system from Alfdex with its patented technology first started being equipped by the Volvo Group and Daimler in 2006. Since then more than 2 million units have been sold. Alfdex is currently installed on all proprietary engines over 7L for Mack, Volvo, Freightliner, Western Star and International trucks in the US. We are also on Kenworth and Peterbilt MX engine. In addition to this we supply John Deere.

This all-makes kit has been developed to fit most Alfdex separators on the market. It's a shelf-ready product with part numbers for cross reference, packaging and installation instructions. Alfdex is a durable product; however with high mileage the components could wear out. The product is of equal quality as the units it replaces.

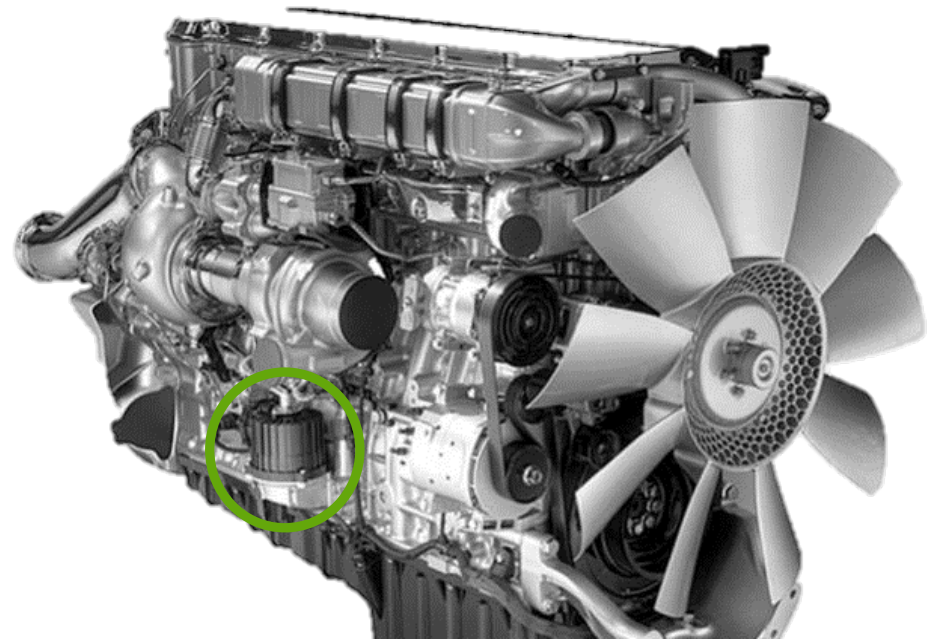
This kit includes a complete housing with discs and four connectors to choose from. This all-makes kit is only available through the independent aftermarket channel.



Alfdex part number 9009483 can be used for all these applications:

BRAND	Freightliner & Western Star	Volvo & Mack	International	Kenworth & Peterbilt
ENGINE	Detroit Diesel: DD13, DD15, DD15TC, DD16 & S60	Mack: MP7, MP8 & MP10 Volvo: D11, D13 & D16	Maxxforce: DT & 9	Paccar: MX-10
PART NO.	23537711, 23529137, A4720101062, A4720102362, A4720104262, A4720102862, A4720103162 & A4720100262	20566628, 21098264, 20499419, 21122541, 20763721 & 21122539	1875875C91, 1875875C92, 1889632C91 & 1889632C92	1827090, 1800194 & 1782195
SERVICE KIT	A4720160105, A4720160104 & A4720160204	21475228	1876921C91 & C92	

John Deere part number: RE537155, RE555331, RE538740



For more information visit: www.alfdex.com or contact one of our representatives.